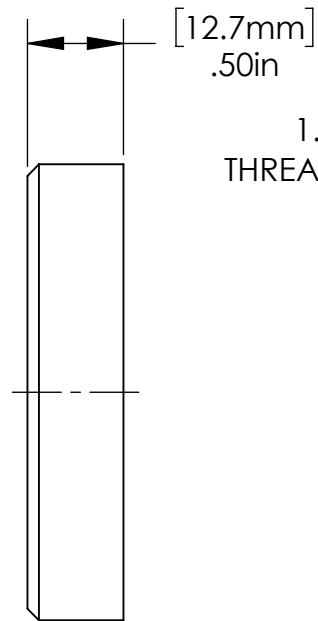
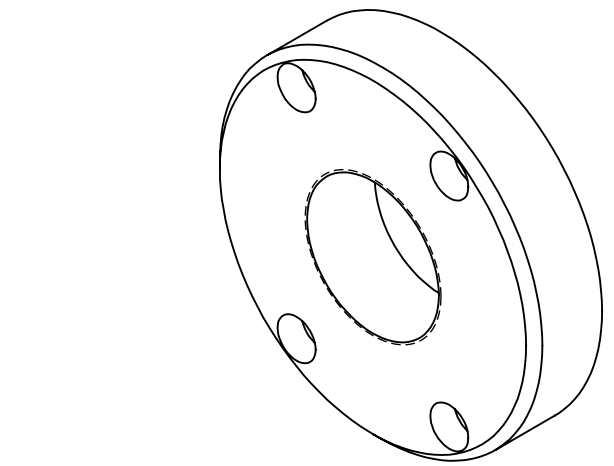


4X ϕ .172 THRU [4.37mm]
 \square ϕ .280in [7.1mm] ∇ .175 [4.45mm]
 ACCOMMODATES M4 OR #8 SOCKET
 HEAD SCREWS




1.00in-32
 THREAD THRU



-025 ORING
 DUST SEAL

[60.3mm]
 ϕ 2.38in

FOR INFORMATION ONLY NOT FOR MANUFACTURING	DATE: 12/30/21	DRAWN BY: TA	CHK'D BY: GJH	TOLERANCES: (EXCEPT AS NOTED) X.XXX = ± 0.005 X.XX = ± 0.01 X/X = $\pm 1/64$ ANGULAR: $\pm 0.5^\circ$	REV.	DESCRIPTION	DATE	APPD		37 IRONIA ROAD FLANDERS NJ 07836 (973) 598-1150 Fax: 598-1151
HAAS DOC.# ADP-S48-CMNT-SALES										ADP-S48-CMNT SALES DRAWING
\\haas-server\Engineering\BACKUP FILES\Steve Backup\Drawings\HAAS\LP-0750\LP-Adapters\										SCALE: 1:1