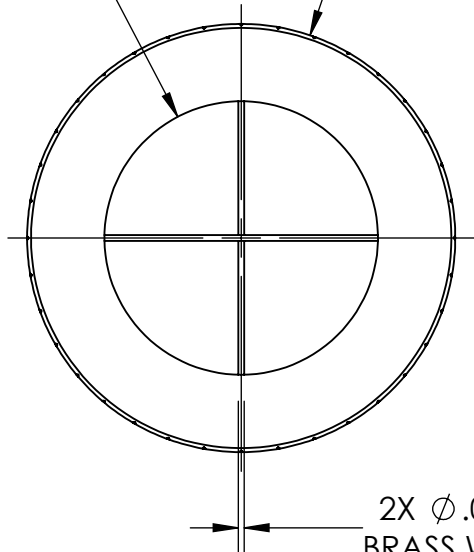
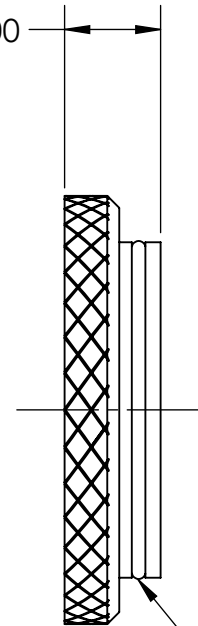


ϕ 1.425in
 [36.20mm]
 C.A.

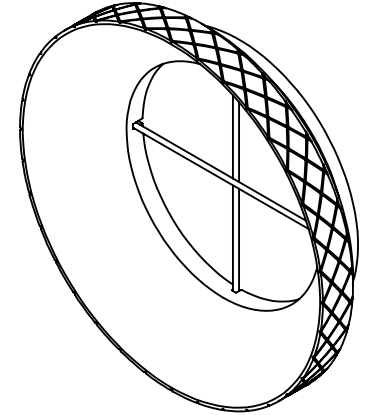
ϕ 2.230




.500

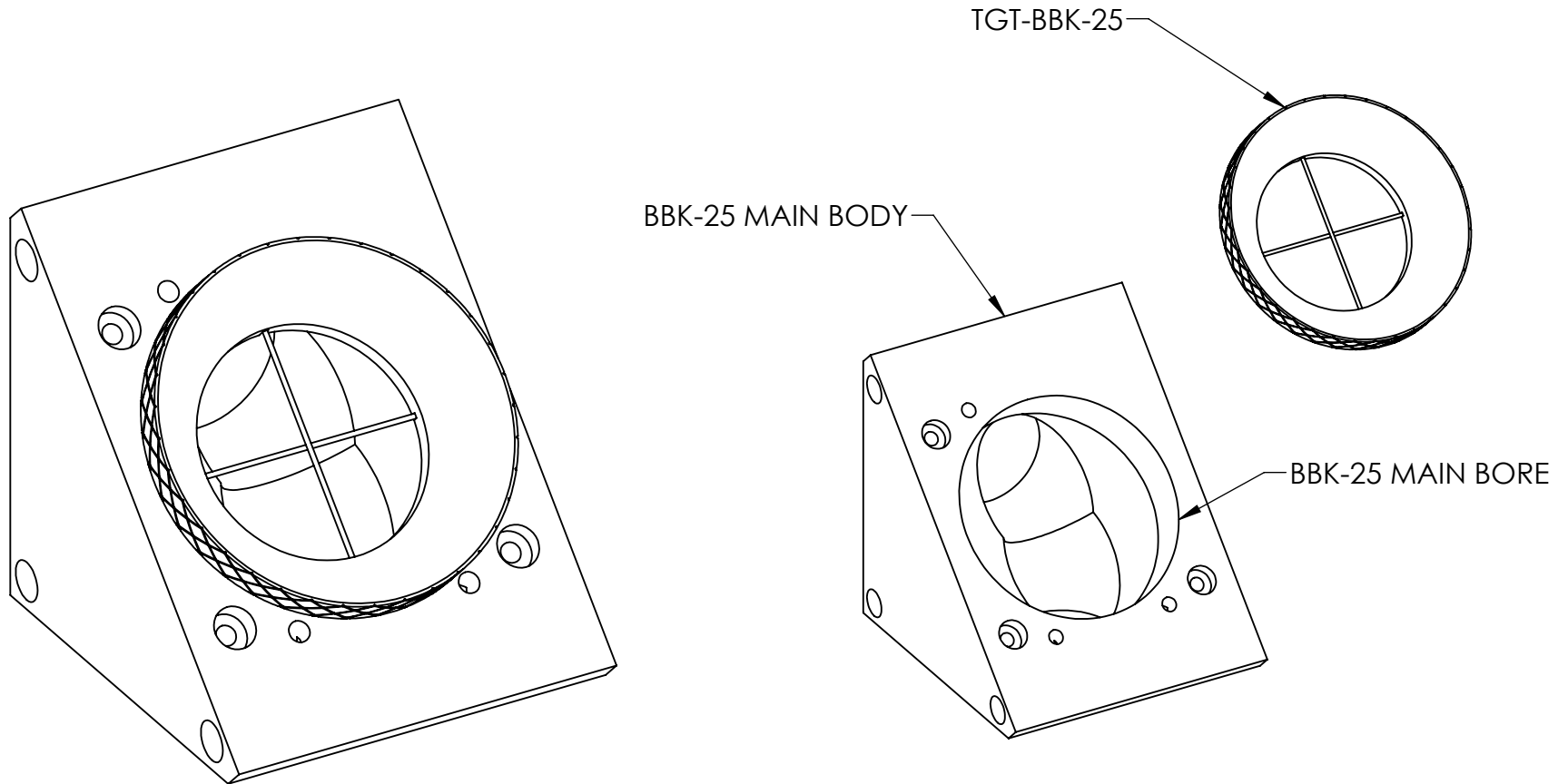



-029
O-RING



FOR INFORMATION ONLY NOT FOR MANUFACTURING	DATE: 9/16/2020	DRAWN BY: MPM	CHK'D BY: RS	TOLERANCES: (EXCEPT AS NOTED)	No.	REVISIONS	DATE	APPD		37 IRONIA ROAD FLANDERS NJ 07836 (973) 598-1150 Fax: 598-1151
HAAS PN# TGT-BBK-25				<i>X.XXX</i> = ± 0.005 <i>X.XX</i> = ± 0.01 <i>X X/X</i> = ± 1/64 <i>ANGULAR</i> : ± 0.5°						TGT-BBK-25 CUSTOMER DIMENSIONAL DWG
SPECIFICATIONS SUBJECT TO CHANGE WITHOUT NOTICE. CONTACT HAAS LTI FOR MORE INFORMATION.										SCALE: 1:1

1. REMOVE KINEMATIC PLATE FROM BBK-25
2. SLIDE TGT-BBK-25 INTO BBK-25 MAIN BODY BORE
3. ALIGN CROSS HAIRS AS DESIRED



FOR INFORMATION ONLY NOT FOR MANUFACTURING	DATE: 9/16/2020	DRAWN BY: MPM	CHK'D BY: RS	TOLERANCES: (EXCEPT AS NOTED)	No.	REVISIONS	DATE	APPD		37 IRONIA ROAD FLANDERS NJ 07836 (973) 598-1150 Fax: 598-1151
HAAS PN# TGT-BBK-25				X.XXX = ± 0.005						
SPECIFICATIONS SUBJECT TO CHANGE WITHOUT NOTICE. CONTACT HAAS LTI FOR MORE INFORMATION.				X.XX = ± 0.01					TGT-BBK-25 INSTALLATION INSTRUCTIONS	BOM# NA
				X X/X = ± 1/64						SCALE:
				ANGULAR: ± 0.5°						

